

Installation

Mounting the Antenna Panel

Antenna Panel Kit

The **Antenna Panel** kit contains the following components:

- Antenna Panel
- Mounting instructions
- Antenna Panel mounting kit:
 - 4 x Washers M8 x 21 mm flat Stainless steel
 - 4 x Bolt M8 x 70mm HEX Stainless steel
 - 4 x Nut M8 HEX Stainless steel
 - 4 x Screw Wood TEK 14 x 10 90mm
 - 4 x Screw Wood TEK 14 x 10 65mm

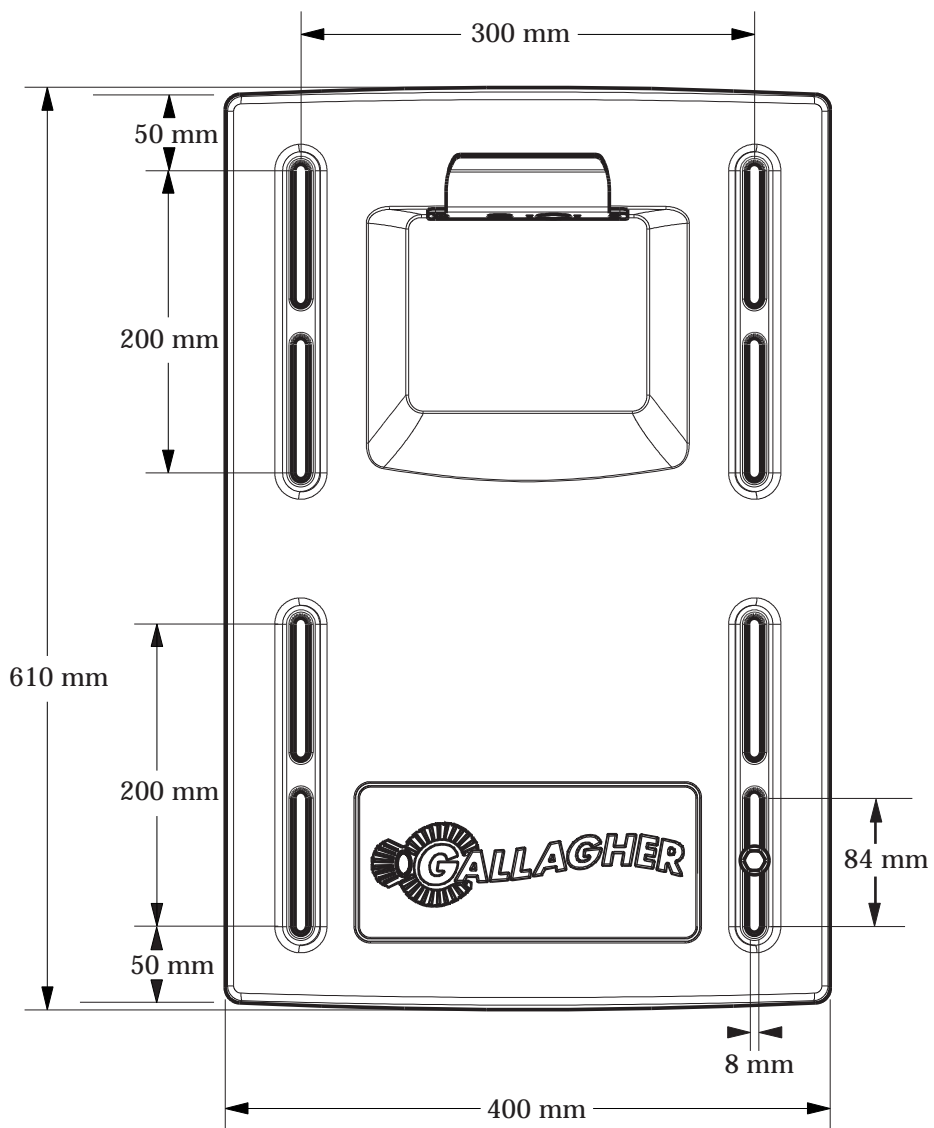
Notes on locating the Antenna Panel

Gallagher recommends the following when installing the SmartReader Antenna Panel:

- The Antenna Panel can be mounted onto metal pipe or wood work of the animal handler but not solid steel handler walls.
- The edges of the Antenna Panel contain the antenna windings. This means that when the Antenna Panel is mounted, vertical bars should be kept away from the vertical edges of the Antenna Panel and horizontal bars should be kept away from the horizontal edges of the Antenna Panel.

Considerations

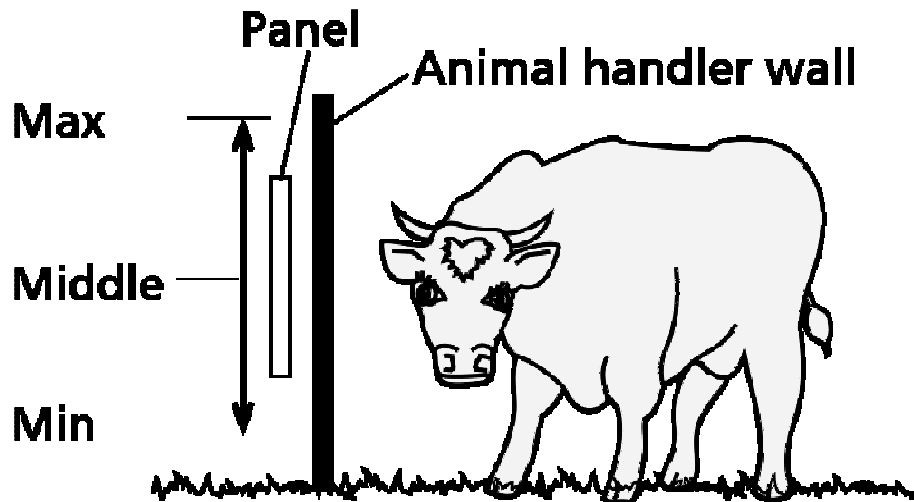
- The position of the Antenna Panel installation depends on the type and size of the animals to be scanned and the size of Antenna Panel to be installed.
- Gallagher recommends you mount the Antenna Panel temporarily while you determine the most appropriate position.
- Mounting the Antenna Panel on a metal animal handler can alter the read range of the SmartReader. Gallagher recommends that the SmartReader is mounted on wood or spaced pipework.
- Multiple SmartReaders can be installed in close proximity to each other, so long as they are synchronised to ensure conflicts do not occur between SmartReaders. For further details, see *Installing multiple SmartReaders* (p 20).



- Use the defined mounting holes, because drilling through the Antenna Panel will damage the antenna.

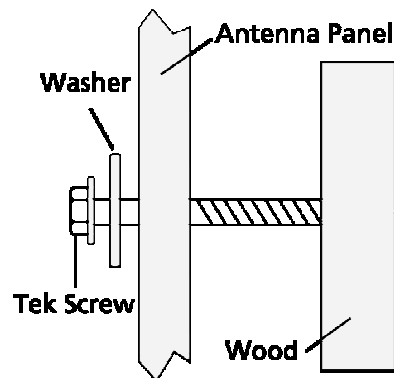
Procedure

1. Measure the vertical range of the Electronic ID tags on the animals to be scanned.

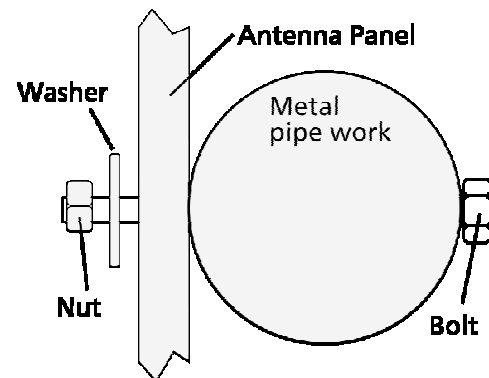


2. Determine the average height of the Electronic ID and mark this on the **outside** of the animal handler.
3. Determine what the Antenna Panel is to be mounted on, wood or pipe work, and prepare the appropriate mounting hardware from the supplied kit.

Wood - washers and tek screws

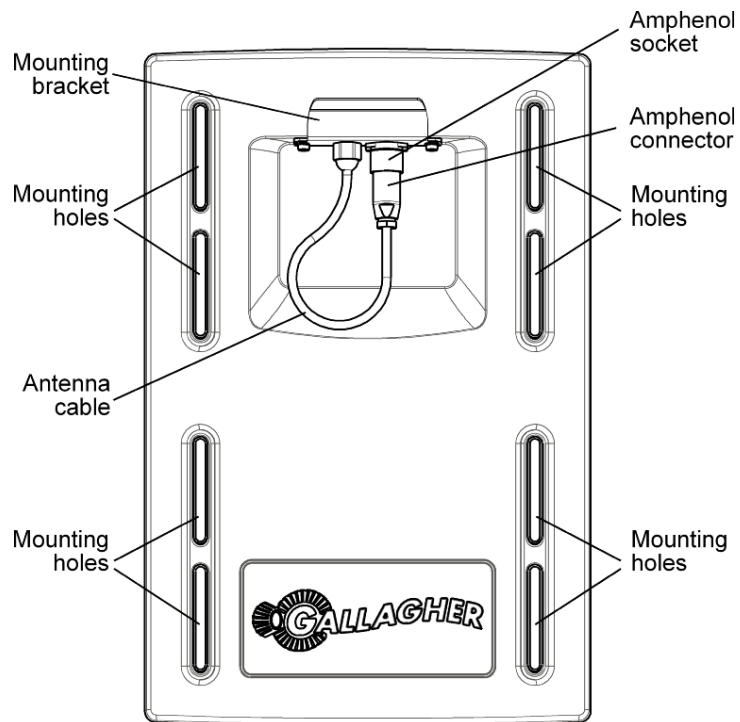


Pipe work - washers, bolts and nuts



4. Using the **defined mounting holes**, mount the Antenna Panel on the **outside** of the animal handler so that the middle of the Antenna Panel matches the average height.

Note: DO NOT drill through the Antenna Panel as it will damage the antenna.



Note: You may want to temporarily attach the Antenna Panel and test the read range prior to permanently attaching the Antenna Panel.

Mounting the SmartReader

Considerations

- Ensure the mounting location of the SmartReader provides protection from being knocked or damaged by animals.

SmartReader Kit

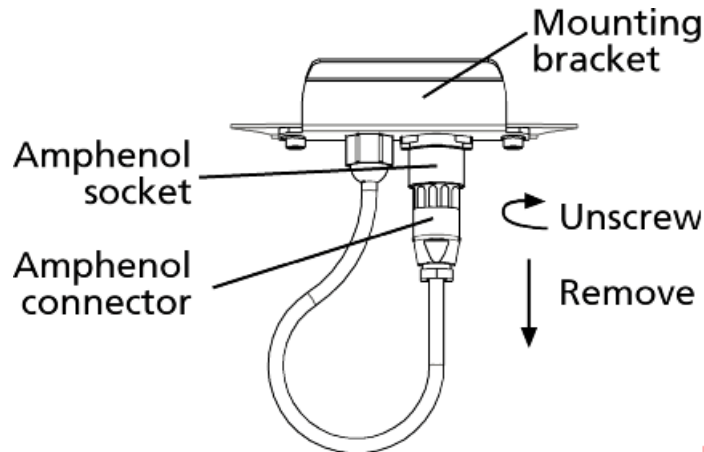
The **SmartReader kit** contains the following components:

- R Series SmartReader.
- MyScale Pro CD
- Instruction Manual (this manual)
- Cables
 - Short serial cable (DB9 to DB9)
 - Long serial cable (DB9 to DB9)
 - DB9 to USB adapter

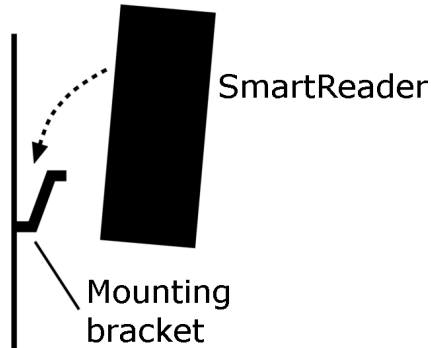
Connecting the SmartReader to the Antenna Panel

For information on using the Extension Mounting Kit see *SmartReader Extension Mounting Kit installation* (p 44).

1. Ensure the SmartReader is turned off.
2. On the Antenna Panel, unscrew the Amphenol connector locking nut from the Amphenol socket and pull it down to unplug from the Antenna Panel.



3. Mount the SmartReader on the mounting bracket by grasping the SmartReader on both sides and slide the back handle onto the mounting bracket.



4. Connect the antenna cable to the SmartReader and tighten the locking nut.

