

Print Options Australia 2006



Animal
Management
Systems

Dalton[®]

Supertag Maxi (Size 5) TD5M or TD5F



TPRT1
Print Option 1

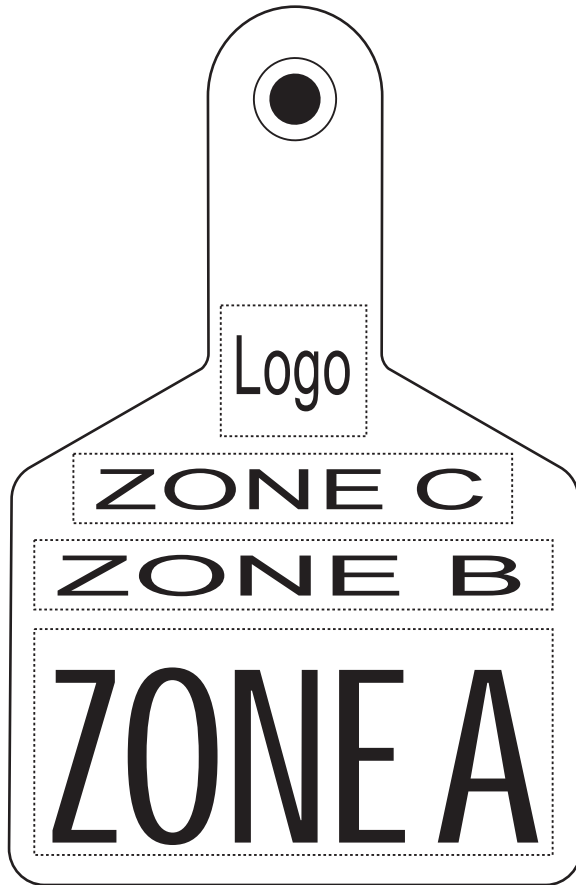


TPRT2
Print Option 2



TPRT3
Print Option 3

Supertag Maxi (Size 5) TD5M or TD5F Continued



TPRT4
Print Option 4



TPRT5
Print Option 5

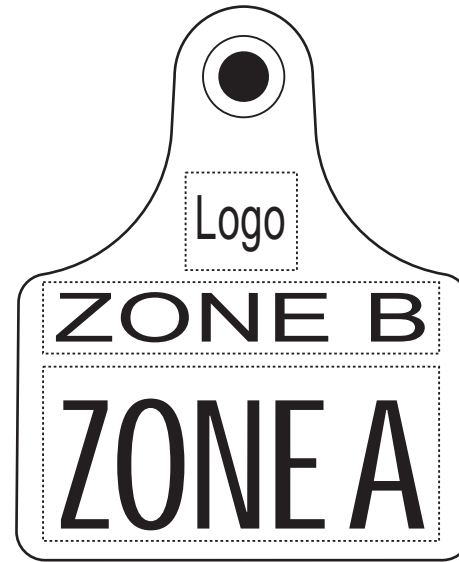
Supertag Large (Size 4) TD4M or TD4F



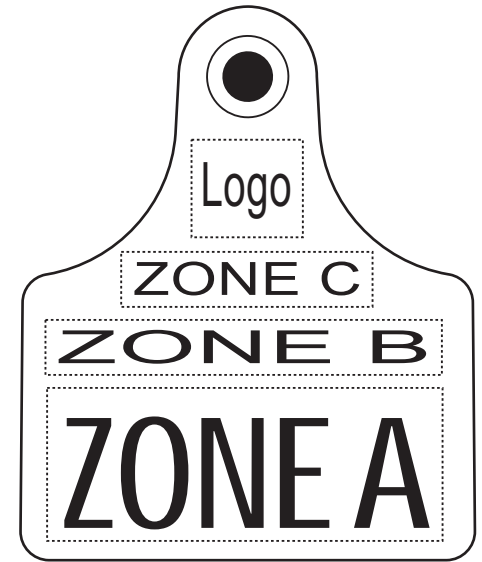
TPRT1
Print Option 1



TPRT2
Print Option 2



TPRT3
Print Option 3



TPRT4
Print Option 4

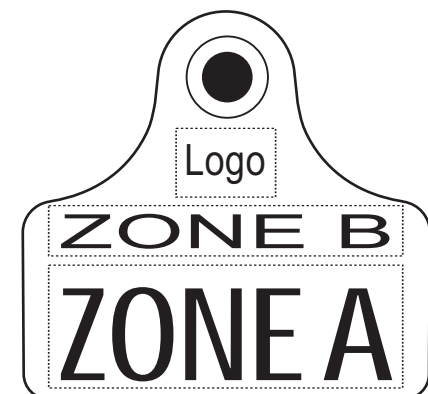
Supertag Medium (Size 3) TD3M or TD3F



TPRT1
Print Option 1



TPRT2
Print Option 2



TPRT3
Print Option 3

Supertag Pig (Size 2) TSD2M or TD2F



TPRT1
Print Option 1



TPRT2
Print Option 2



TPRT3
Print Option 3

Supertag Small (Size 1) TD1M or TD1F



TPRT1
Print Option 1



TPRT2
Print Option 2



TPRT3
Print Option 3

Supertag Button (Size 0) TD0M or TD0F



TPRT1
Print Option 1

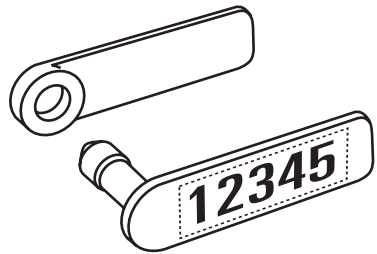


TPRT2
Print Option 2

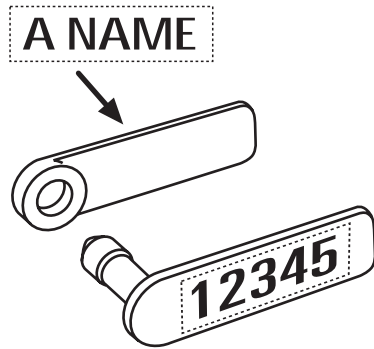


TPRT3
Print Option 3

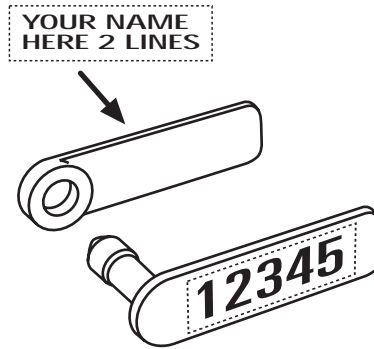
Rototag TDL0



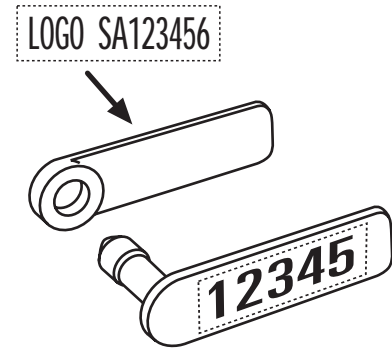
TPRT1
Print Option 1



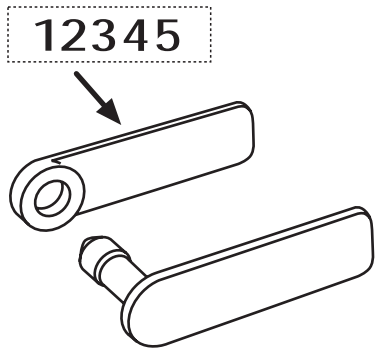
TPRT2
Print Option 2



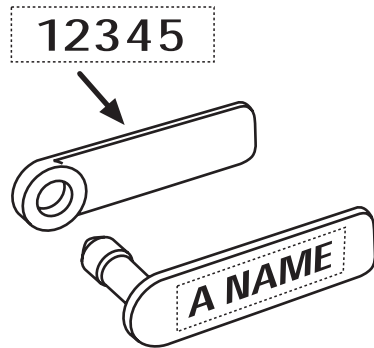
TPRT3
Print Option 3



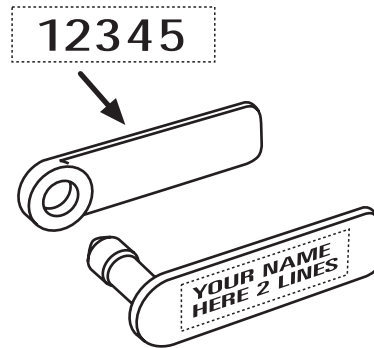
TPRT4
Print Option 4 (NLIS)



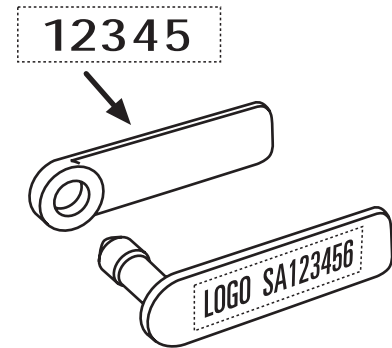
TPRT5
Print Option 5



TPRT6
Print Option 6

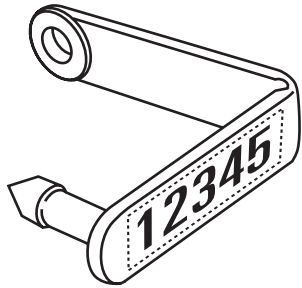


TPRT7
Print Option 7

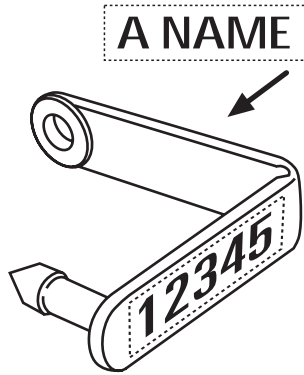


TPRT8
Print Option 8 (NLIS)

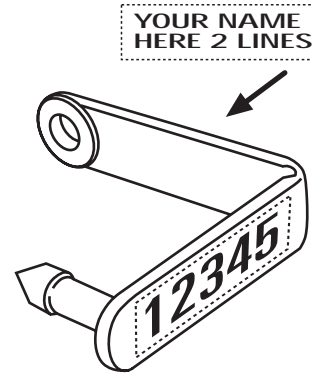
Tagomatic TDO0



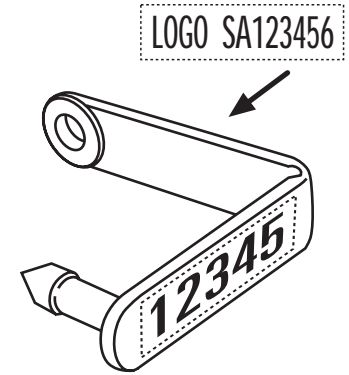
TPRT1
Print Option 1



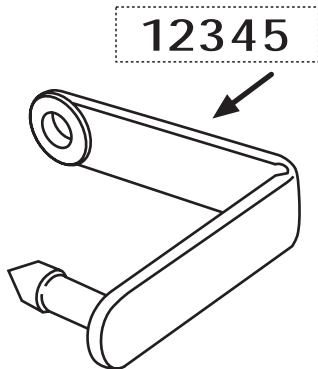
TPRT2
Print Option 2



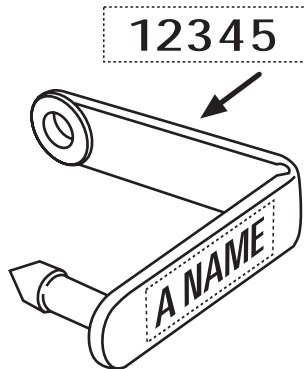
TPRT3
Print Option 3



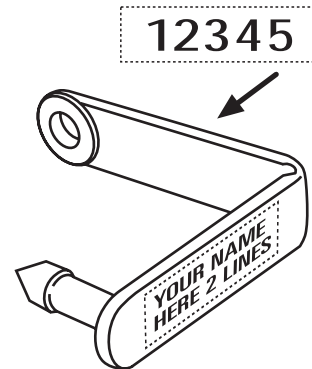
TPRT4
Print Option 4 (NLIS)



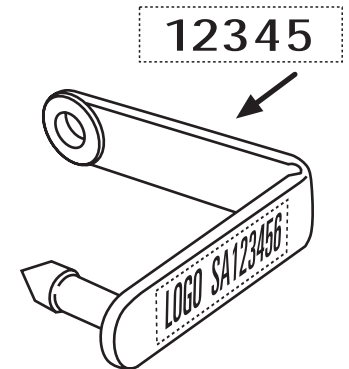
TPRT5
Print Option 5



TPRT6
Print Option 6

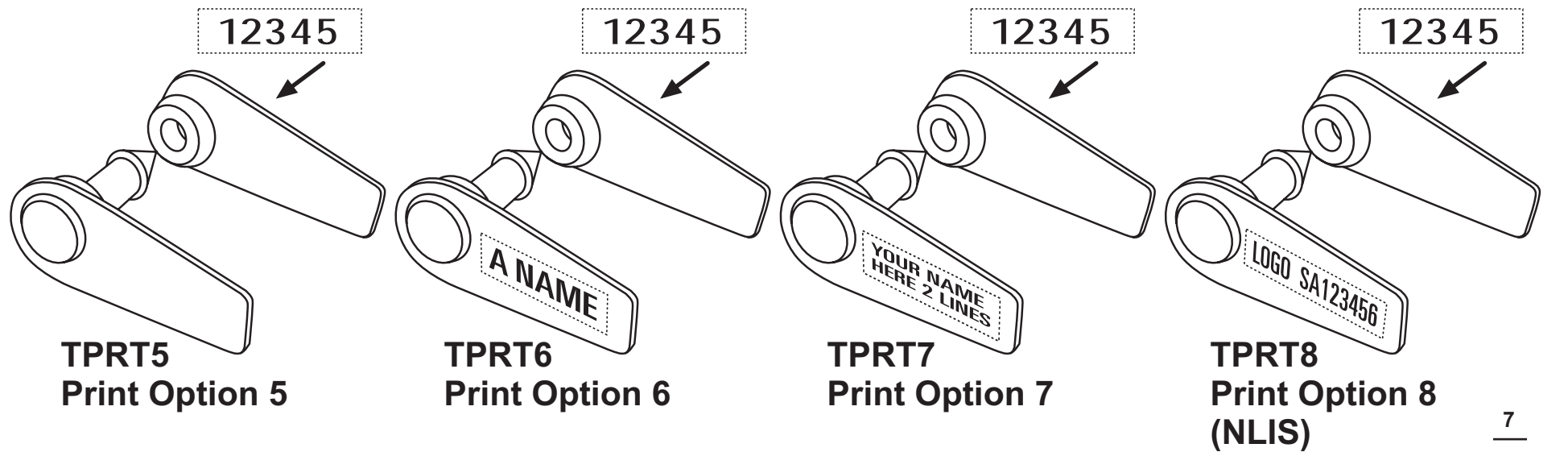
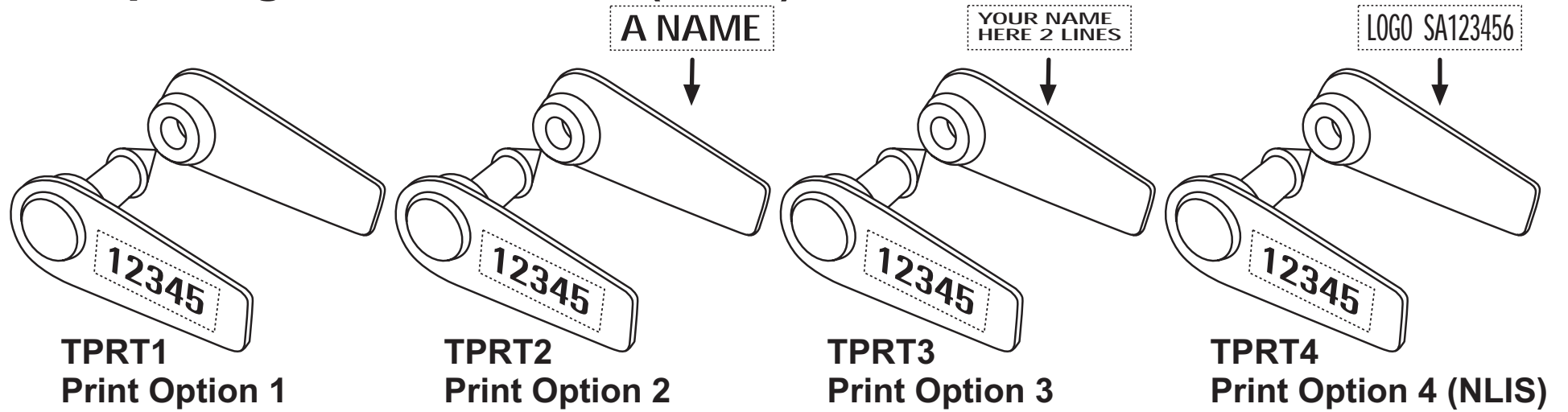


TPRT7
Print Option 7



TPRT8
Print Option 8 (NLIS)

Supertag Size 1 TD1MF (NLIS)



I-Tag for Sheep & Lambs (ST1) TSDM



TPRT1
Print Option 1

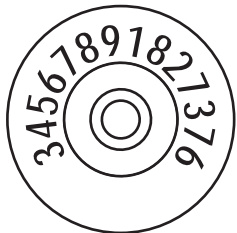


TPRT2
Print Option 2



TPRT3
Print Option 3
(NLIS)

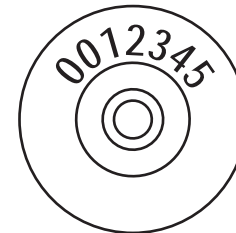
I-Tag for Sheep TSDF



TPRT1
Print Option 1

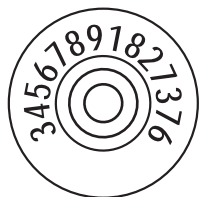


TPRT2
Print Option 2



TPRT3
Print Option 3
(NLIS)

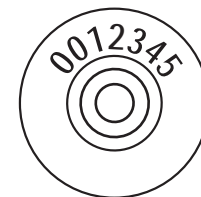
I-Tag for Lambs (ST1) TLDF



TPRT1
Print Option 1

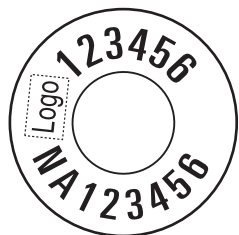


TPRT2
Print Option 2



TPRT3
Print Option 3
(NLIS)

Supertag NLIS Cattle (HDX) TSNMF

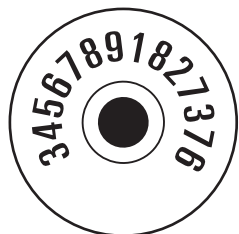


TPRT3
Print Option 3
Female Side



TPRT3 (NLIS)
Print Option 3
Male Side

I-Tag for Cattle & Merino Sheep (FDX) TSDF



TPRT1
Print Option 1



TPRT2
Print Option 2



TPRT3
Print Option 3